



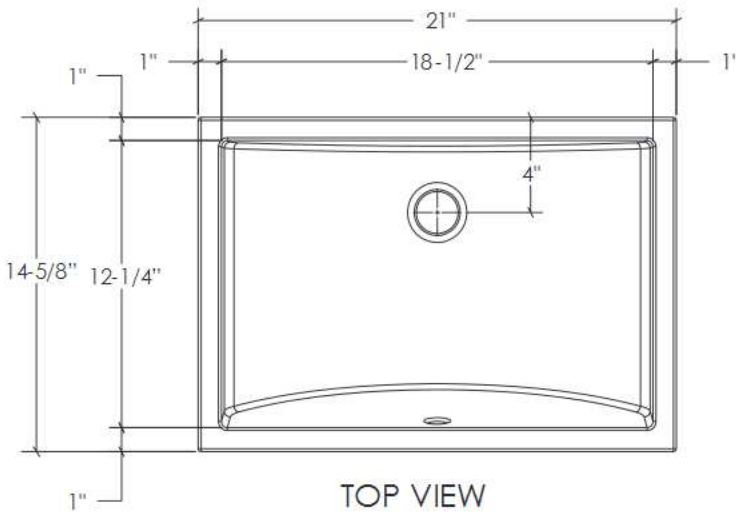
## PS-106

### FEATURES:

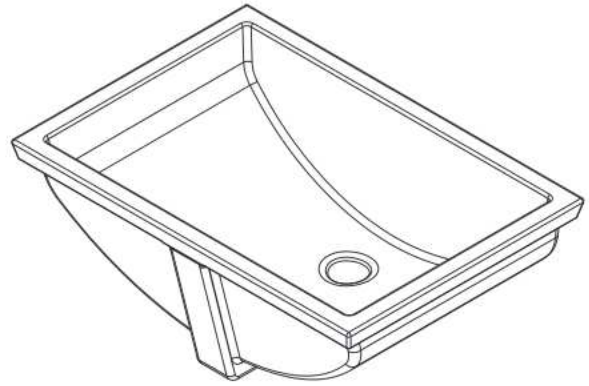
- \* Bowl Size: 18-1/2" x 12-1/4"
- \* Material: Vitreous China
- \* For Under Counter Use
- \* Recommended Drain: DS-001
- \* For Faucets With Overflow
- \* For Use With Standard Pop Up Drain
- \* Warranty: One Year Limited Warranty
- \* Does Not Include Mounting Clips

### CODES / STANDARDS APPLICABLE

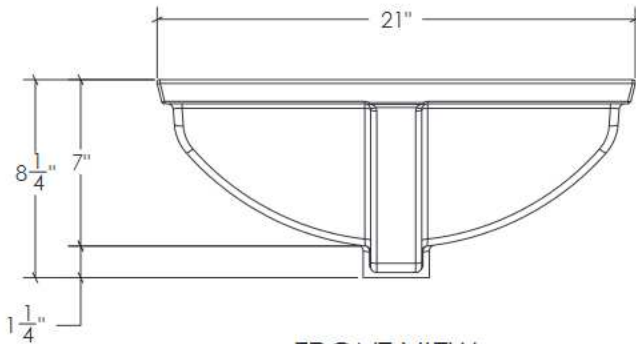
- \* CSA B45
- \* ASME A112.19.2



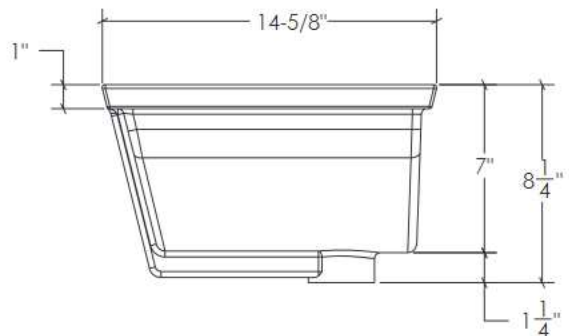
TOP VIEW



3D VIEW



FRONT VIEW



SIDE VIEW

## JOB INFORMATION:

Job Name \_\_\_\_\_  
Date Specified \_\_\_\_\_  
Contractor \_\_\_\_\_

\* Specifications and drawings provided on this sheet are for illustration only. Cantrio Koncepts will not be held responsible for cutouts made without the actual product or product template.